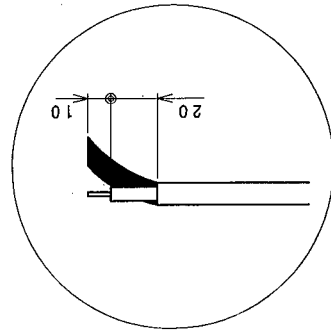


- R1, R2: 2 M Ω
- R3, R6, R7: 536 k Ω
- R4: 1.43 M Ω
- R5: 1.62 M Ω
- R8: 360 k Ω
- R9: 432 k Ω
- R10: 750 k Ω
- R11: 806 k Ω
- R12: 1.07 M Ω
- R13: 619 k Ω
- R20: 10 k Ω
- R21-R23: 100 Ω
- R24: 49.9 Ω
- C1-C3, C6: 10 nF
- C4, C5: 4700 pF

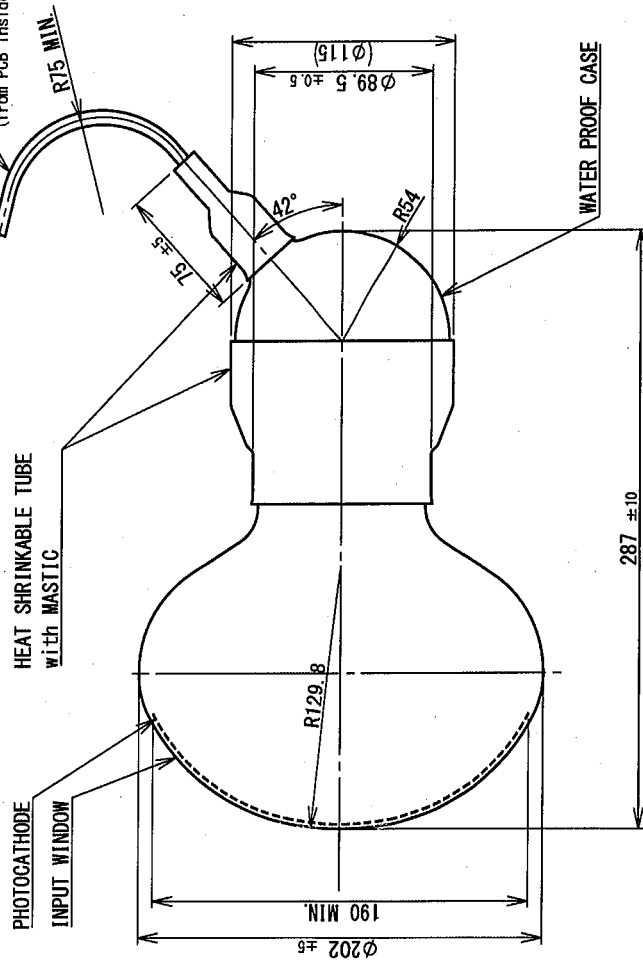
TOTAL RESISTANCE=12.7 M Ω
 DIVIDER CURRENT: 118 μ A at +1500 V
 MAXIMUM APPLIED VOLTAGE: +2000 V
 VOLTAGE DIVIDER RATIO: 11.0-1.5-4-4.5-1.5-1.5-1.1-2-2-2.2-3-1.7

Information is furnished for your information only.
 Warranty, expressed or implied, is created by furnishing this information.



CABLE END PROCESSING

WATER PROOF CABLE (YR53485)
 CABLE LENGTH: 20 m \pm 0.2 m
 (from PCB inside WATER-PROOF CASE)



UNIT : mm
 DATE : 15. Feb. 2022

R14688-100-Y003

DIMENSIONAL OUTLINE AND VOLTAGE DIVIDER CIRCUIT

HAMAMATSU
 PHOTON IS OUR BUSINESS